

**HEIDEN**  
INC

# **Crane Attachments**

## **Railroad Tie Grapple**

### **20 Series**



- **Straight Tine Ends Engineered for Removing Rail Ties from Railroad Cars**
- **1-1/2" Thick Tines for Extra Heavy Duty Service**
- **Jaws Are Replaceable And Exchangeable**
- **All Components are Hi Tensil Steel**
- **Heiden's Proven Head Design Inherently Good for Bucking Ties**
- **Made in USA**

**Heiden Inc. 4624 Expo Drive Manitowoc, WI 54220**

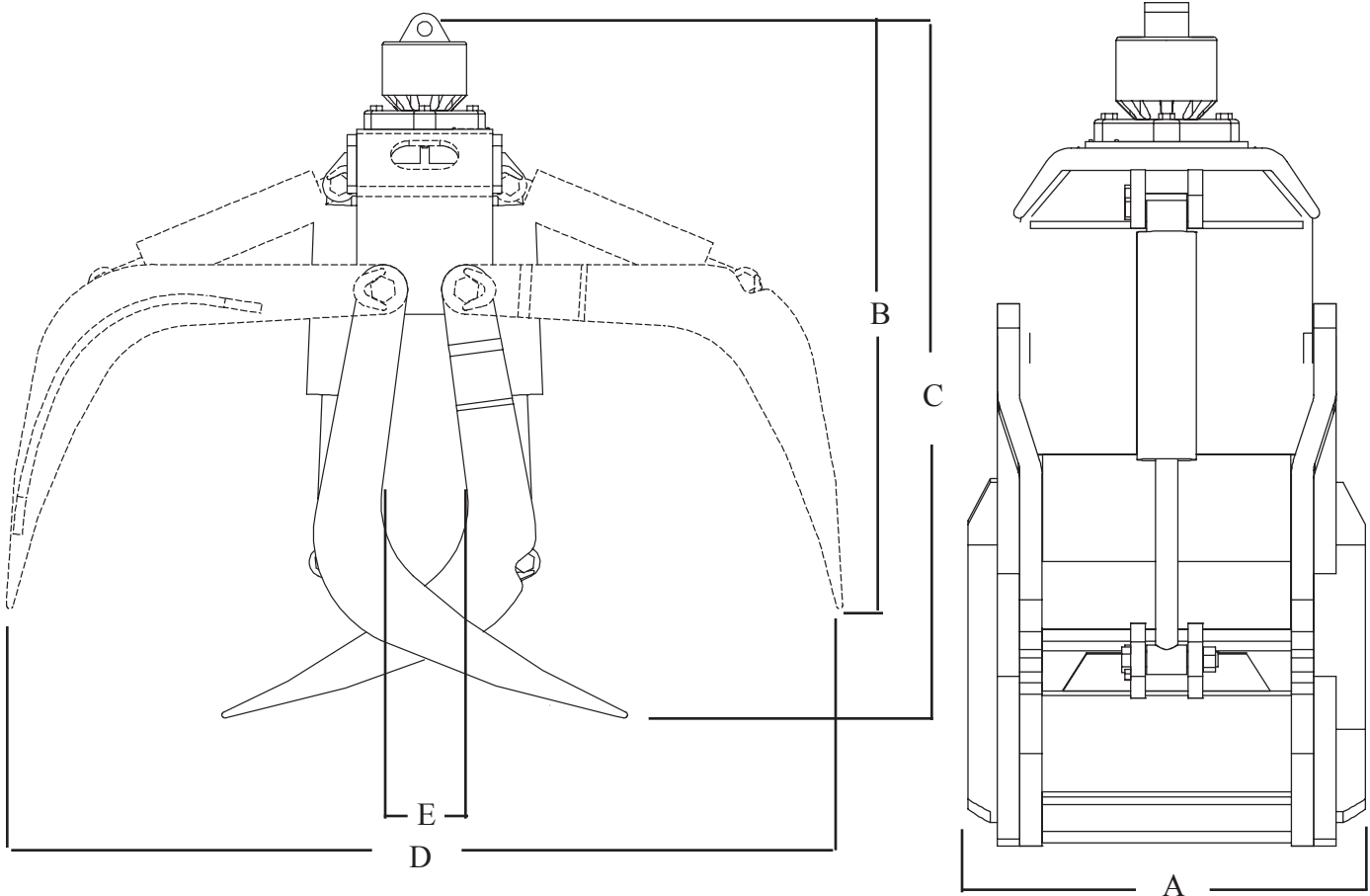
**Phone: 888-682-5779**

**Fax: 920-682-3174**

**[www.heidenco.com](http://www.heidenco.com)**

# 20 Series Railroad Tie Grapple

Part #	A	B	C	D	E
HC20-AHR-3	27"	50"	60"	73"	7"
HC20-AHR-4	27"	47"	56"	66"	7"



**Heiden Inc.    4624 Expo Drive    Manitowoc, WI 54220**

**Phone: 888-682-5779**

**Fax: 920-682-3174**

**www.heidenco.com**